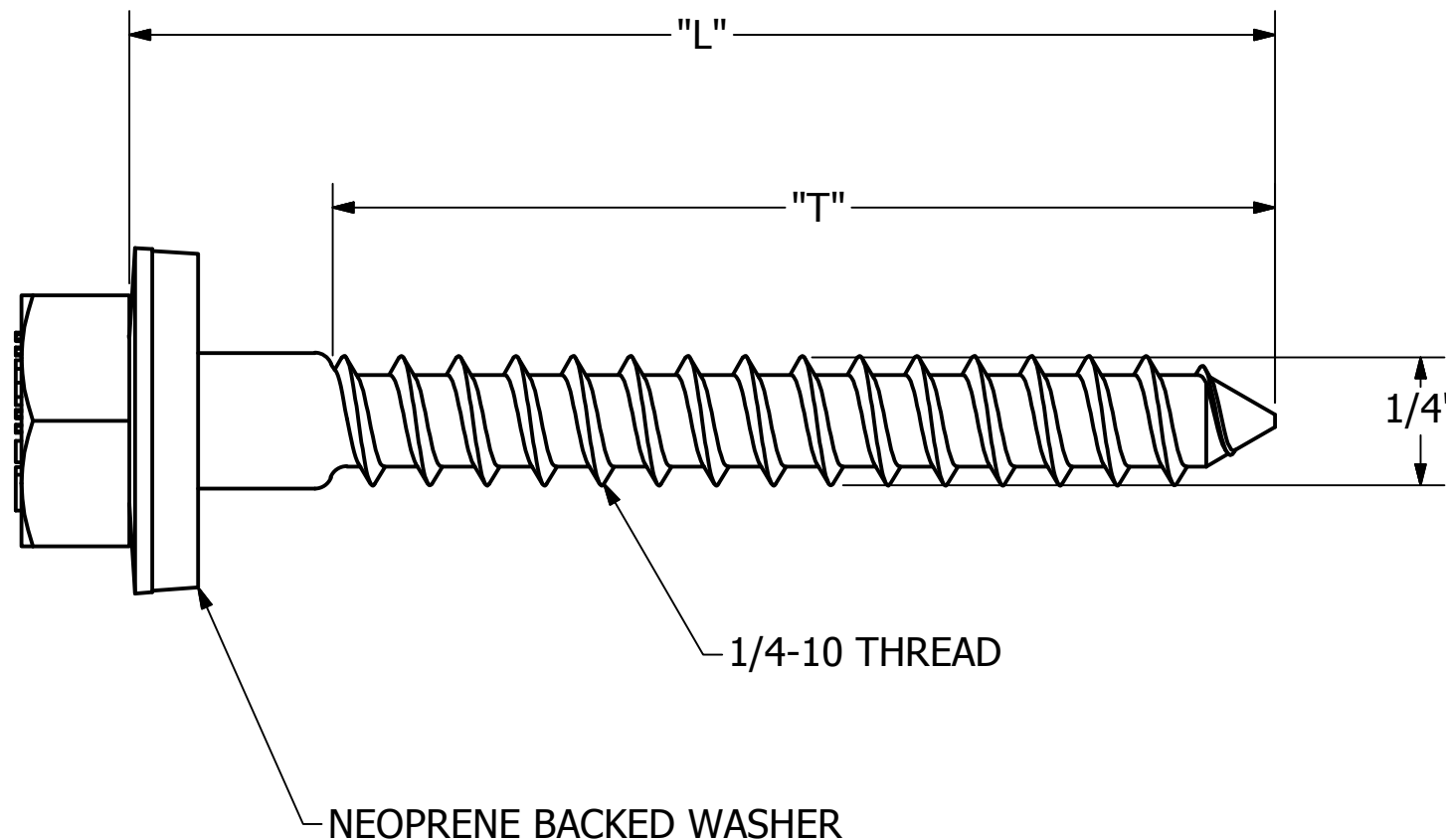
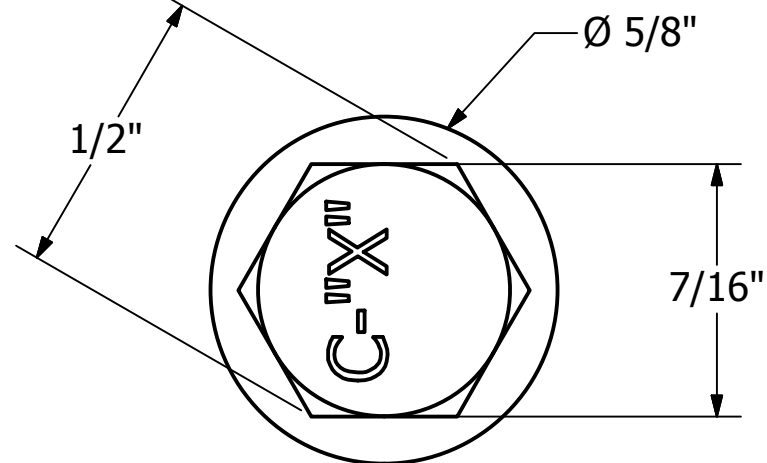
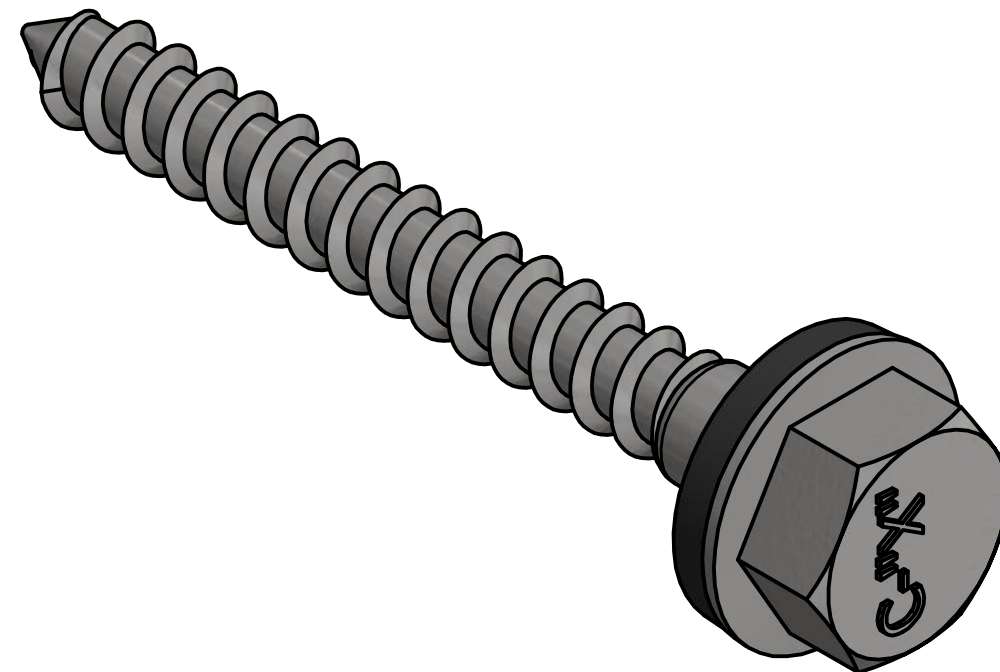


=NOTES=

- 1. MATERIAL: STEEL
FINISH: HOT DIP GALVANIZE PER ASTM A153



CATALOG NUMBER	"L"	"T"
PSC2050504	2"	1-5/8"
PSC2050631	2-1/2"	1-3/4"

CHANCE [®]		HUBBELL [®] HUBBELL POWER SYSTEMS, INC. POWER SYSTEMS, INC.	
CONFIDENTIAL: THIS DRAWING AND ITS CONTENTS ARE CONFIDENTIAL AND THE EXCLUSIVE PROPERTY OF HUBBELL POWER SYSTEMS. NO PUBLICATION, DISTRIBUTION, OR COPIES MAY BE MADE WITHOUT THE WRITTEN CONSENT OF HUBBELL POWER SYSTEMS. HUBBELL POWER SYSTEMS UNPUBLISHED ALL RIGHTS RESERVED UNDER THE COPYRIGHT LAWS.			
1/4" LAG SCREW			
SIZE B	CAT / PART / ASSY NO. SEE TABLE	DWG NO. SA2050504	REV A
DO NOT SCALE THIS DRAWING	DRN BY TLB	DATE 3/19/19	SHEET 1 OF 1